



United States Patent and Trademark Office

Home | Site Index | Search | FAQ | Glossary | Guides | Contacts | eBusiness | eBiz alerts | News | Help

Publication Number: 04134395

Section: Drawings 2 of 9 pages

Help

Full Text
Help

Go to Page:

Go



Sections:

- Front Page
- Drawings
- Specifications
- Claims

U.S. Patent Jan. 16, 1979

Sheet 1 of 3

4,134,395

Fig. 1

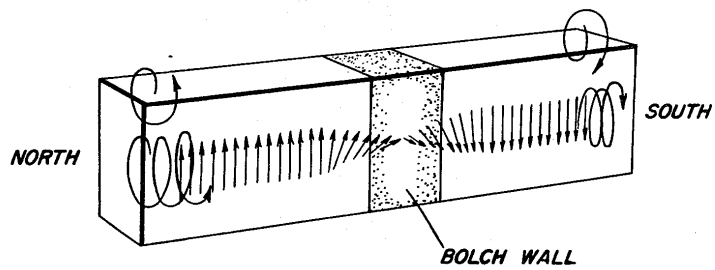


Fig. 2

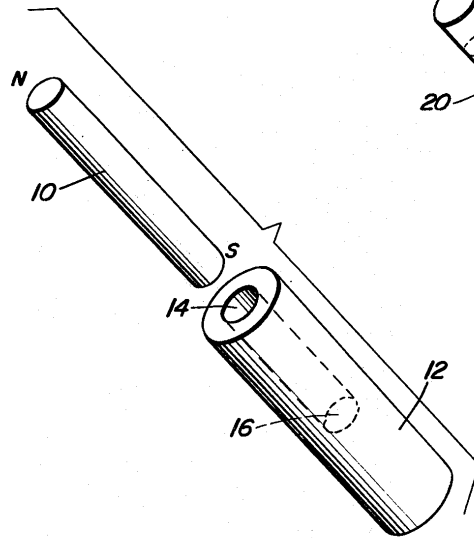


Fig. 3

